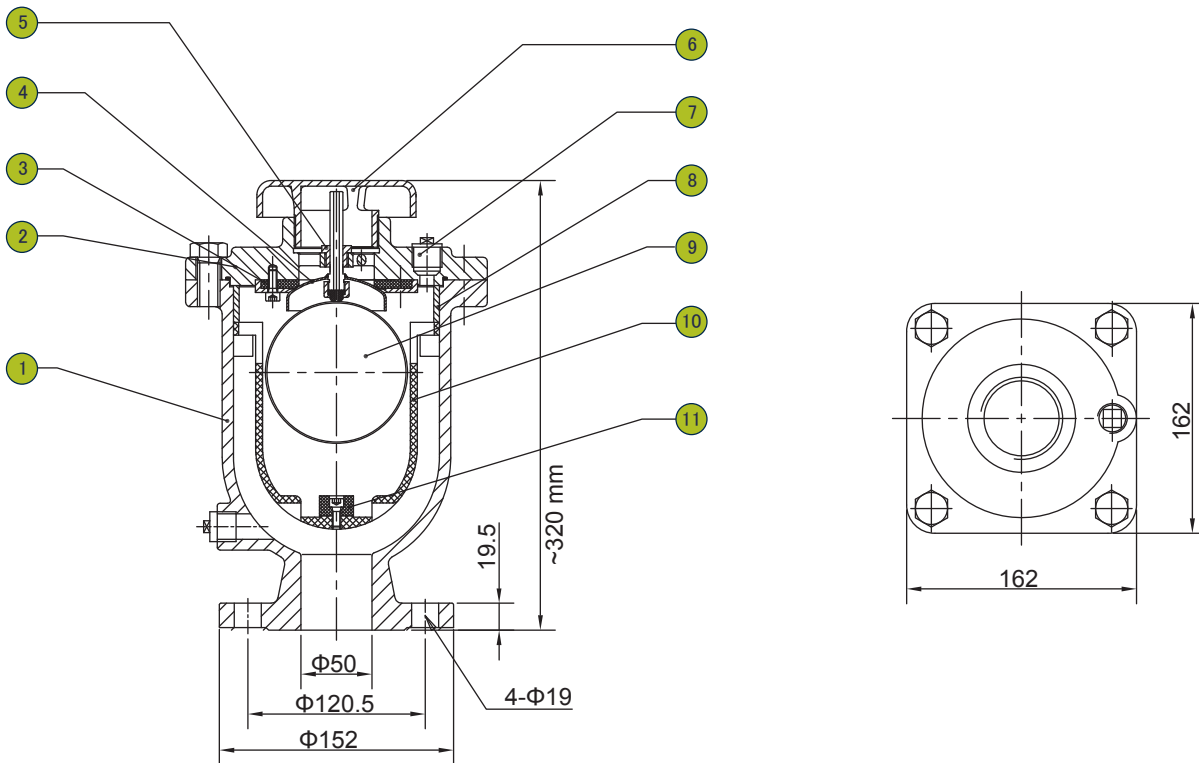


Air Release Valves, ARV-1T/1F

CAST IRON SINGLE FLOAT TYPE, THREADED END/ FLANGE END



Technical Specification

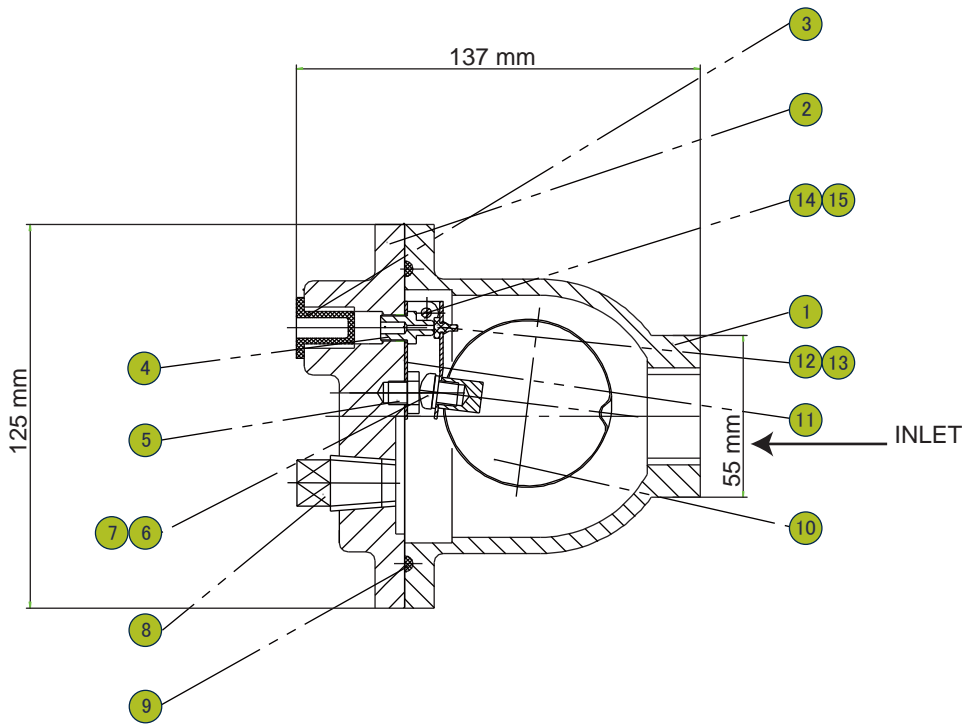
Nominal Pressure	150 Psi
Body Test Pressure	225 Psi
Seal Test Pressure	165 Psi
Applicable Temp. °c	0-70
Applicable Media	Water
Body Material	ASTM 65-45-12
Water-Shut Pressure MPa	≤ 0.02
Air-Shut Pressure MPa	≥ 0.1
Standard For Pressure Tests	JB/T9092-99
Coating & Transportation	JB/T7928-99
Size	Flanged End: 2" Threaded End: 1/2", 3/4" and 1"

Materials List

No	Part Name	Qty	Material
1	Body	1	ASTM 65-45-12
2	Cover	1	ASTM 65-45-12
3	Seat	1	Buna
4	Plug	1	ASTM 304
5	Bushing (A)	1	ASTM 304
6	Hood	1	ASTM 65-45-12
7	Pipe Plug ZG 1/2"	2	B290/6
8	Press Ring	1	ASTM 65-45-12
9	Float	1	ASTM 304
10	Body Inner Barrel	1	Plastic
11	Cushion	1	Buna

Air Release Valves, ARV-1T/1F

CAST IRON SINGLE FLOAT TYPE, THREADED END/ FLANGE END



Size	Inlet	Outlet	Orifice Size	Weight (kg)
1/2"	1/2" NPT	1/2" NPT	1/16"	3
3/4"	3/4" NPT	1/2" NPT	1/16"	3
1"	1" NPT	1/2" NPT	1/16"	3

Materials List

No	Part Name	Qty	Material
1	Body	1	HT200
2	Cover	1	HT200
3	Plug	1	PVC
4	Nut	1	SS304
5	Nut M8*10	1	SS304
6	Bolt M6*10	1	SS304
7	Gasket	1	SS304
8	Plug	1	Malleable
9	O Ring	1	EPDM/NBR
10	Float Ball	1	SS304
11	Plate	1	SS304
12	Seat	1	SS304
13	Seal Plug	1	EPDM/NBR
14	Pin	1	SS304
15	Gasket	1	SS304